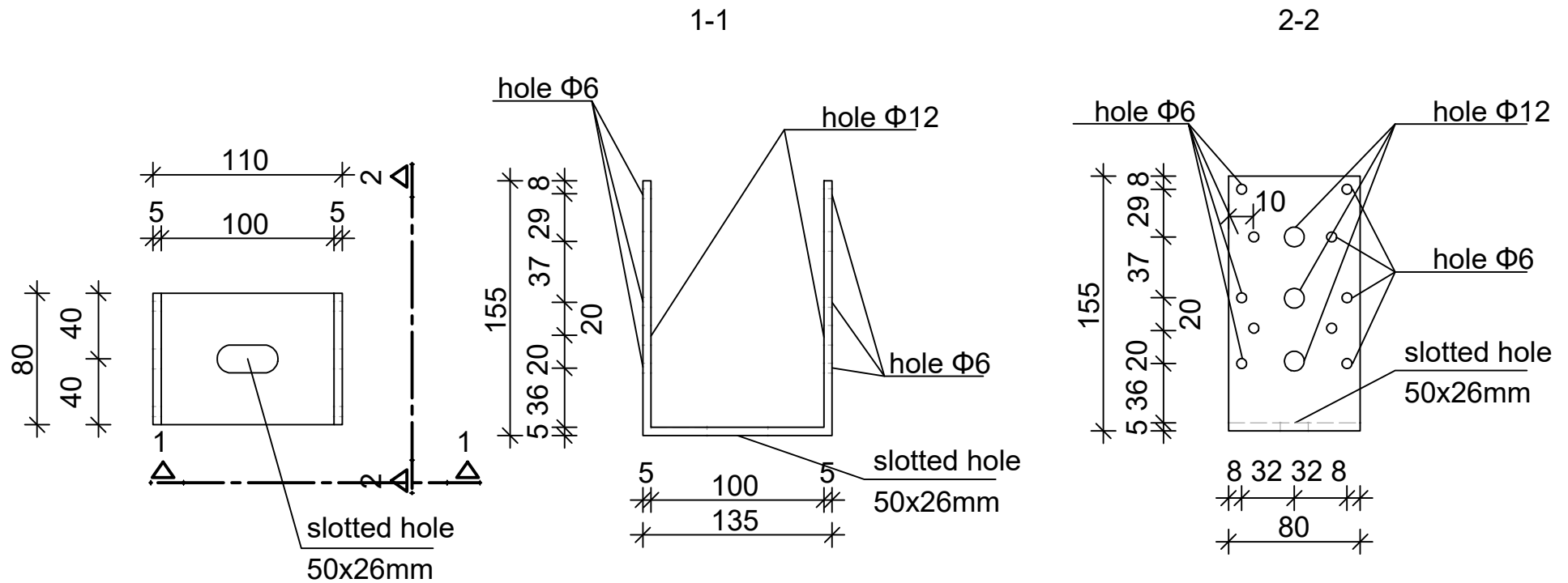


U- bracket
M24 100/155



Design company				
GROUNDPLUG® CONFIDENTAL				
Part:	prod. draw.	Number of drawing:	PPT 26	Finish HDG acc. to ISO EN 1461
Product/Title:	U- bracket M24 100/155	Material/Steel grade	-	Date: 02.2026
Design:	Signature:	Tolerances acc. to:	PN-EN ISO 9013:2008	Scale: 1:2
Check:	Signature:	Sub-grade	PN-EN ISO 13920:2000	Format: A3
Draw:	Signature:	EXC2		