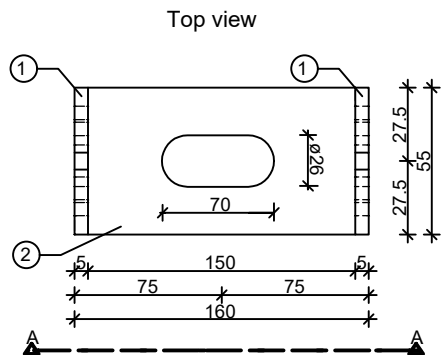
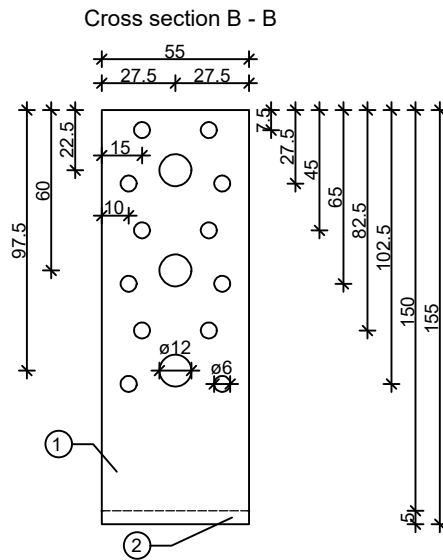
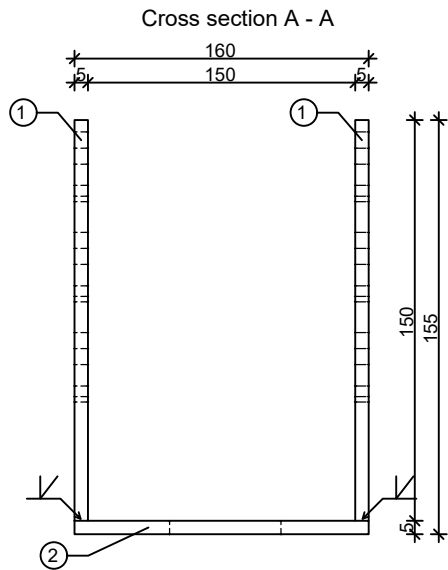


U- bracket M24 150/155



- ① Pl. 150x55x5
- ② Pl. 160x55x5

Design company						
GROUNDPLUG® CONFIDENTAL						
Part:	prod. draw.	Number of drawing:	PPT 26	Finish HDG acc. to ISO EN 1461	Date:	02.2026
Product/Title:	U- bracket M24 150/155	Material/Steel grade		Sub-grade	Scale:	1:2
Design:		Signature:		Tolerances acc.to:		Format:
Check:		Signature:		PN-EN ISO 9013:2008		A3
Draw:		Signature:		PN-EN ISO 13920:2000		
				EXC2		