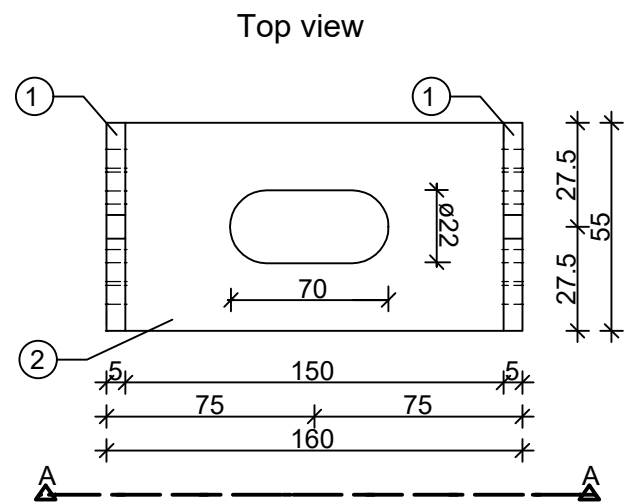
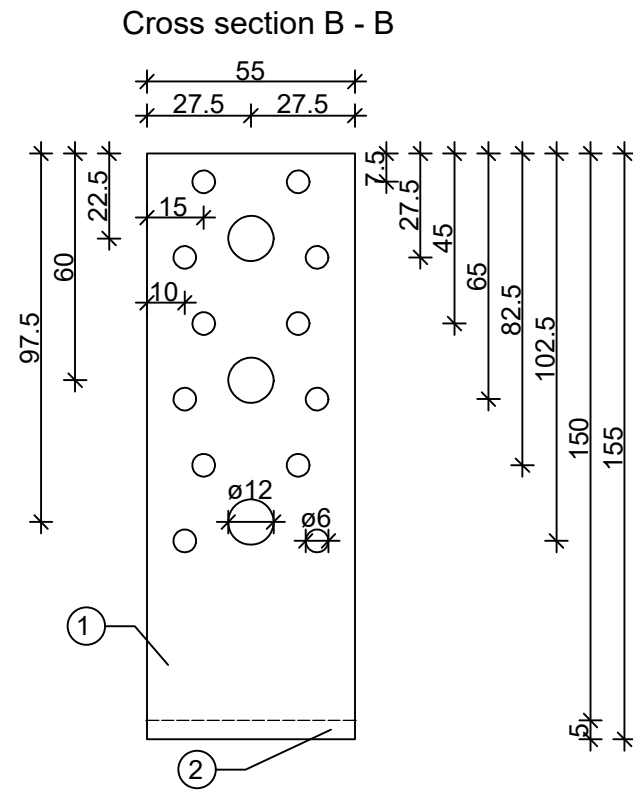
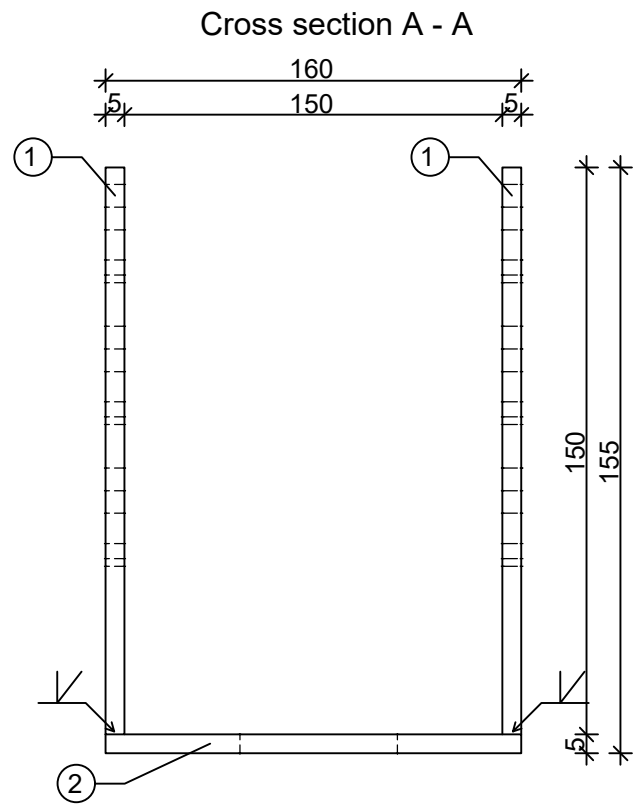


# U- bracket

## M20 150/155



- ① Pl. 150x55x5
- ② Pl. 160x55x5

Design company					
<b>GROUNDPLUG®</b> CONFIDENTAL					
Part:	prod. draw.	Number of drawing:	PPT 26	Date:	02.2026
Product/Title:	U- bracket M20 150/155	Material/Steel grade:		Sub-grade:	-
Design:		Signature:		Tolerances acc.to:	PN-EN ISO 9013:2008
Check:		Signature:		Scale:	1:2
Draw:		Signature:		Format:	A3
PN-EN ISO 13920:2000 EXC2					