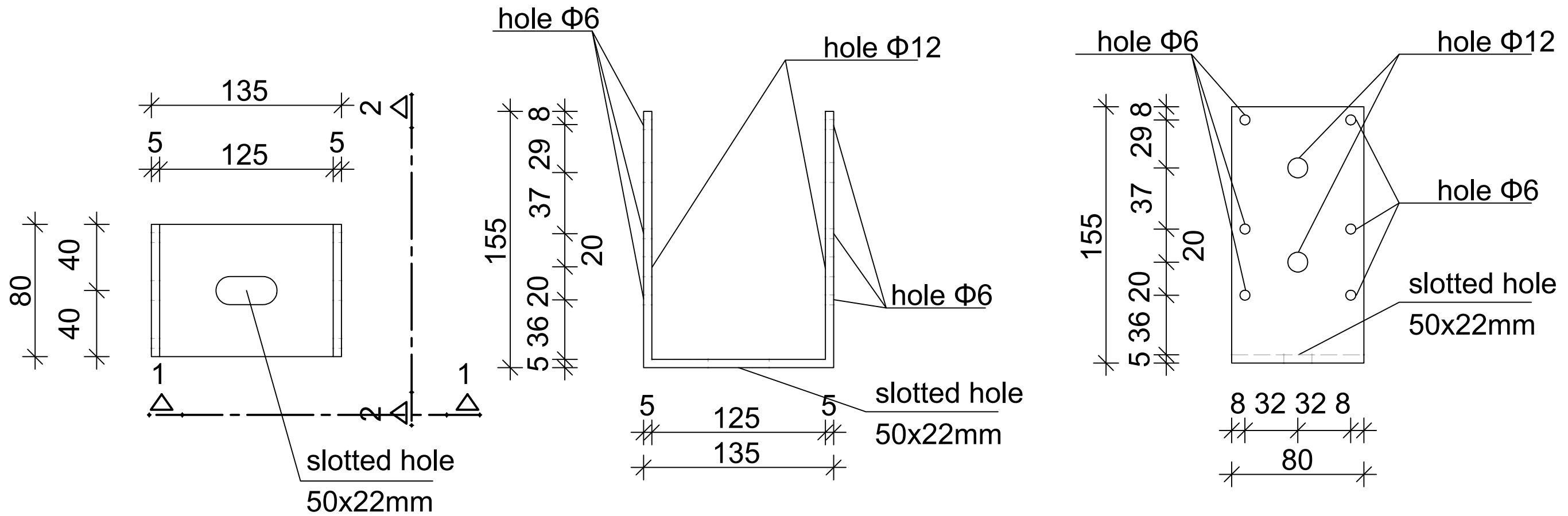


M20/125-155 U bracket

1-1

2-2



Design company				
GROUNDPLUG® CONFIDENTIAL				
Part:	prod. draw.	Number of drawing:	PPT 19	Date:
		Finish	HDG acc. to	02.2026
		ISO EN 1461		
Product/Title:	U- bracket	Material/Steel grade:	Sub-grade:	Scale:
	M20 125/155		-	1:2
				Format:
				A3
Design:		Signature:	Tolerances acc.to:	
Check:		Signature:	PN-EN ISO 9013: 2008	
Draw:		Signature:	PN-EN ISO 13920: 2000	
			EXC2	