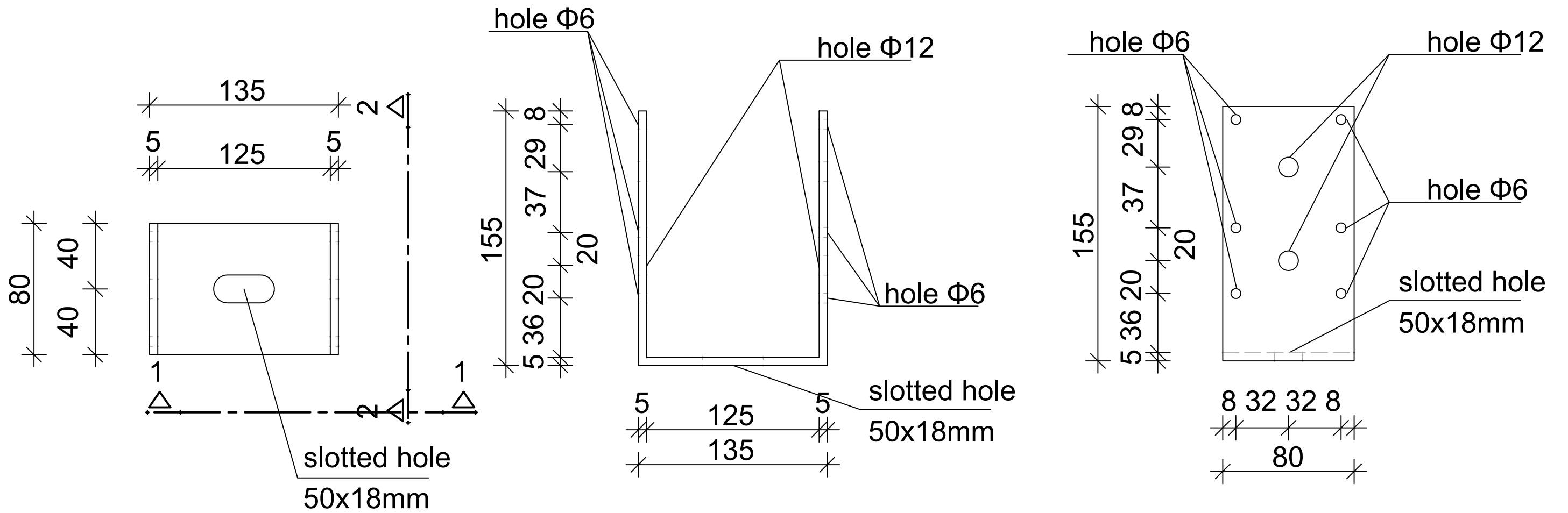


M16/125-155 U bracket

1-1

2-2



Design company					
GROUNDPLUG® CONFIDENTIAL					
Part:	prod. draw.	Number of drawing:	PPT 19	Date:	02.2026
Product/Title:	U- bracket M16 125/155	Material/Steel grade:		Sub-grade:	-
Design:		Signature:		Tolerances acc.to:	PN-EN ISO 9013:2008
Check:		Signature:		Scale:	1:2
Draw:		Signature:		Format:	A3
PN-EN ISO 13920:2000 EXC2					