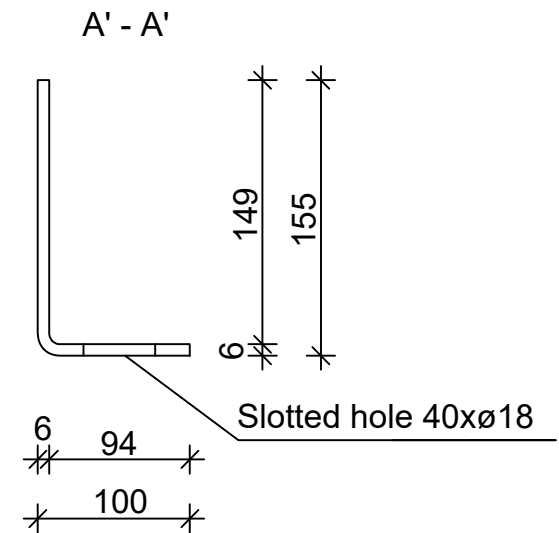
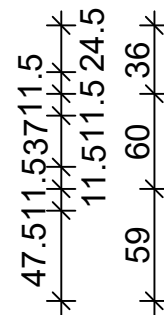
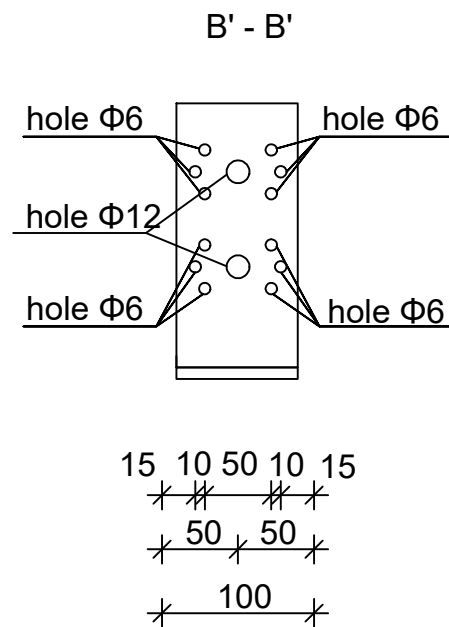
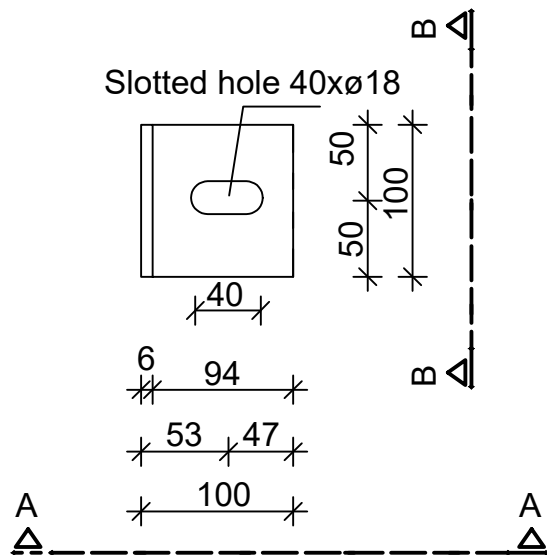


LB- bracket  
M16 100/155



Design company					
<b>GROUNDPLUG®</b> CONFIDENTIAL					
Part:	prod. draw.	Number of drawing:	PPT 26	Finish HDG acc. to ISO EN 1461	Date:
Product/Title:	LB- bracket M16 100/155	Material/Steel grade	-	Scale:	02.2026
Design:	Signature:	Tolerances acc.to:	PN-EN ISO 9013:2008	Format:	A3
Check:	Signature:		PN-EN ISO 13920:2000		
Draw:	Signature:		EXC2		