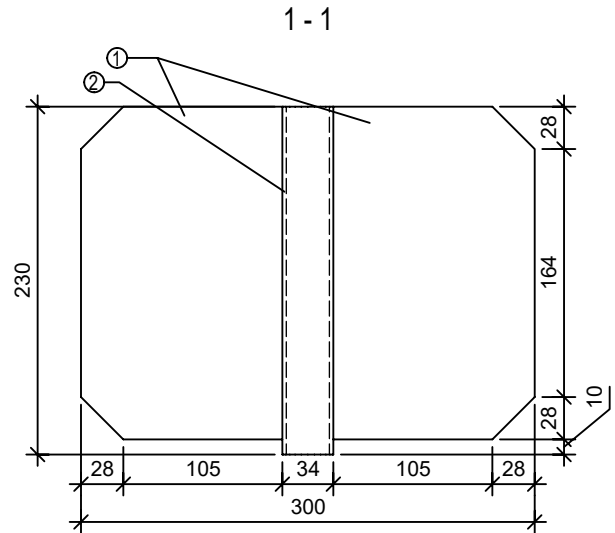
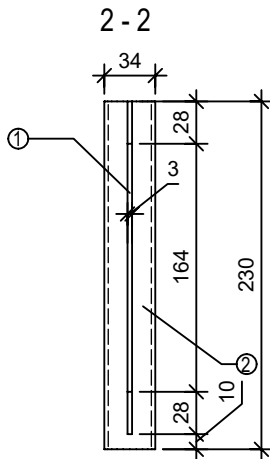
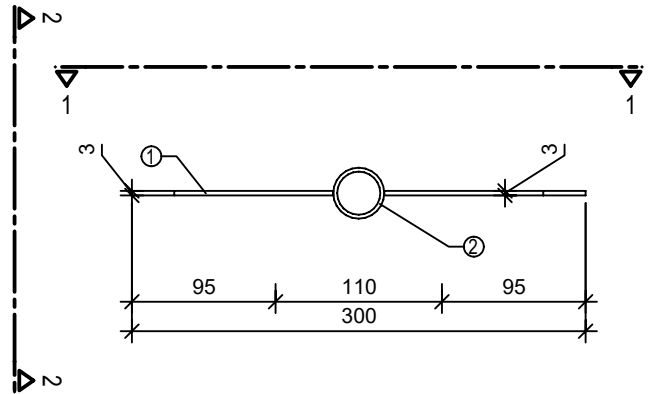
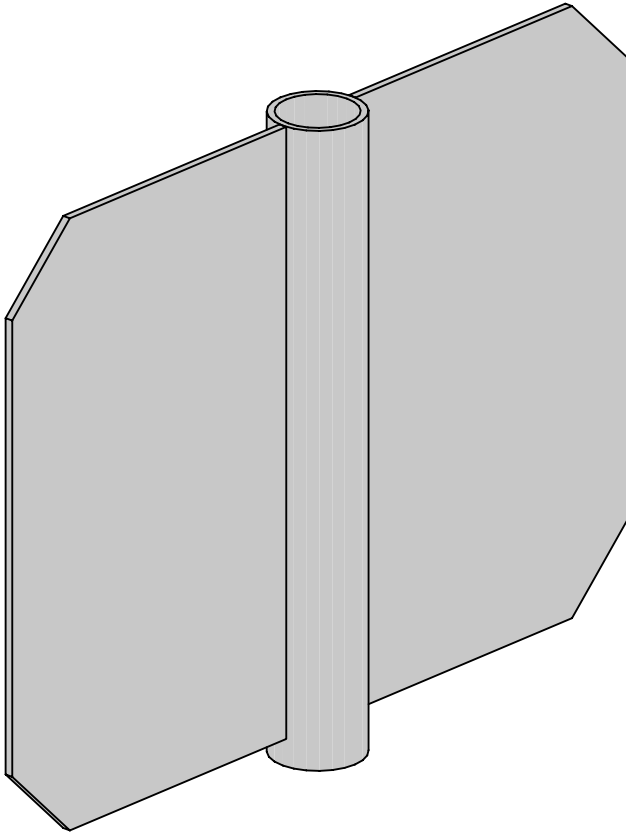


Top soil stiffener TW M16

3D view



GROUND PLUG®

- ① Pl. 133x220x3
- ② CHS 33,7x2,6

Finish HDG acc. to ISO EN 1461		Material/Steel grade S235		Sub-grade		Tolerances acc. to: PN-EN ISO 9013:2008 PN-EN ISO 13920:2000 EXC2			
Design	www.groundplug.com	Signature	Date	2018-10-16				Scale: 1:5	
Draw	Name			Format: A4		Rev:		Change/Date:	
Check				A4					
Confirm									
Product: Top soil stiffener				File name: prod. draw.		Sheet:			
Object name: TW M16				Number of drawing: 2		Projection: 			