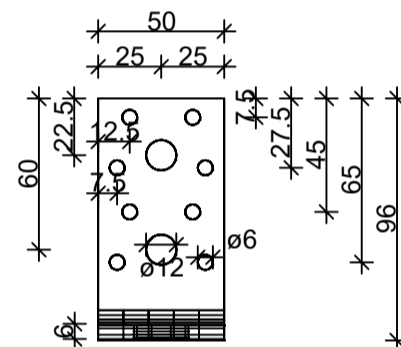
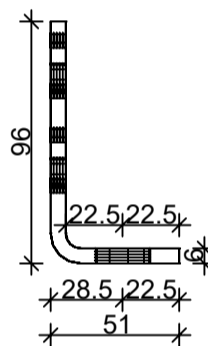
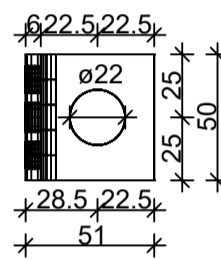
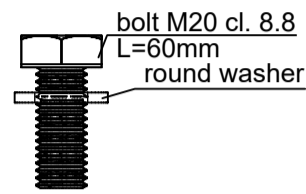
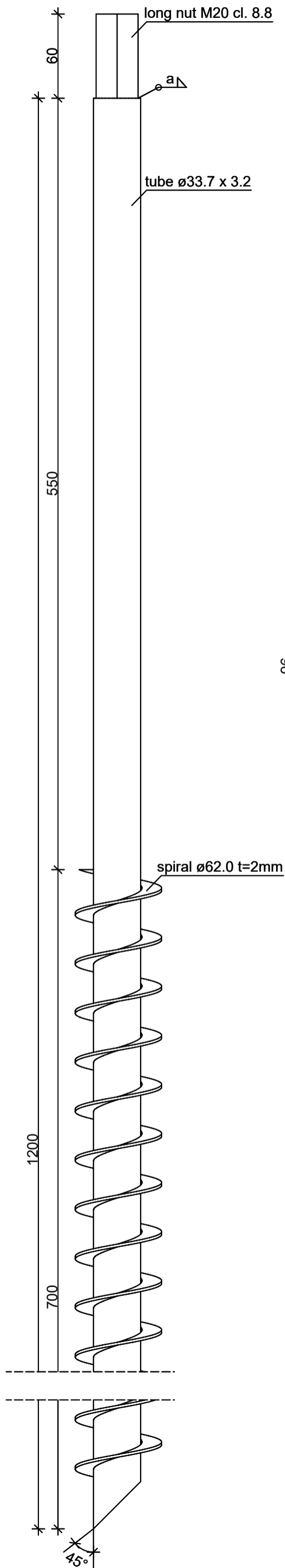
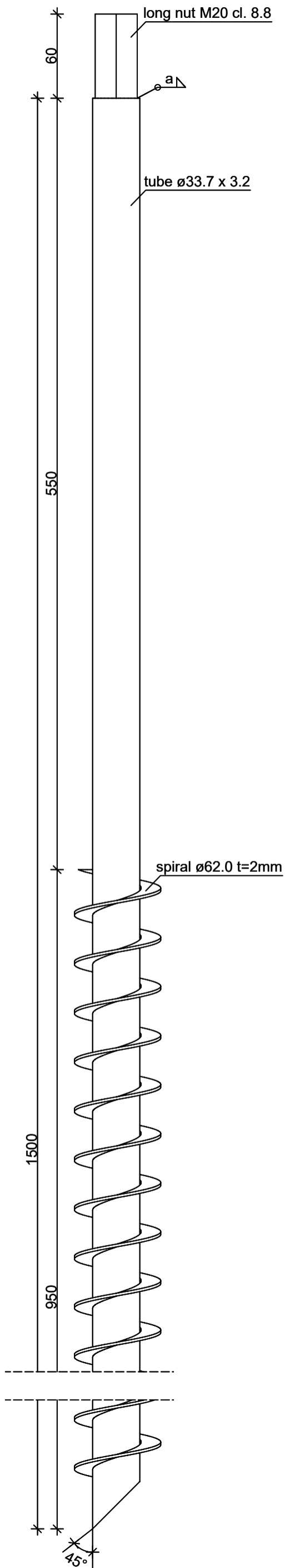


### Twister foundation M20 L=1500mm

### Twister foundation M20 L=1200mm



Design company				
<b>GROUNDPLUG®</b> CONFIDENTIAL				
Part:	prod. draw.	Number of drawing:	PPT 4	Finish: HDG acc. to ISO EN 1461
Product/Title:	Twister foundation M20	Material/Steel grade:	S235	Date: 09.2020
Design:		Sub-grade:	-	Scale: 1:3
Check:		Format:	A3	Tolerances acc.to: PN-EN ISO 9013:2008
Draw:				PN-EN ISO 13920:2000
				EXC2