

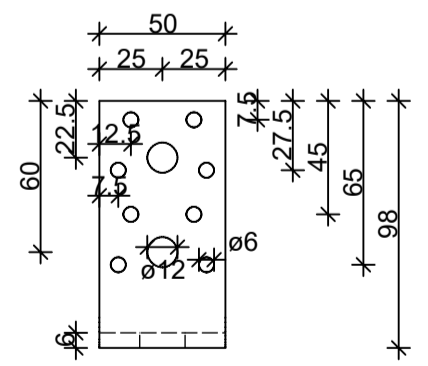
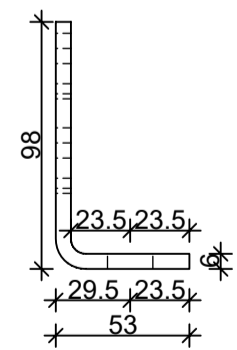
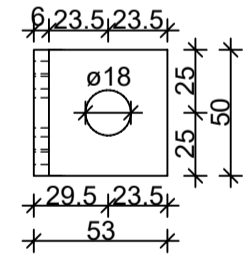
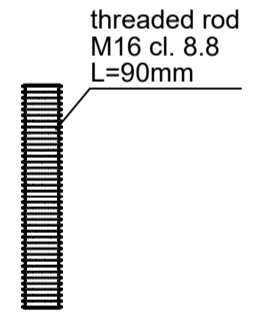
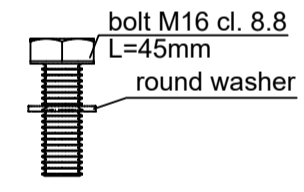
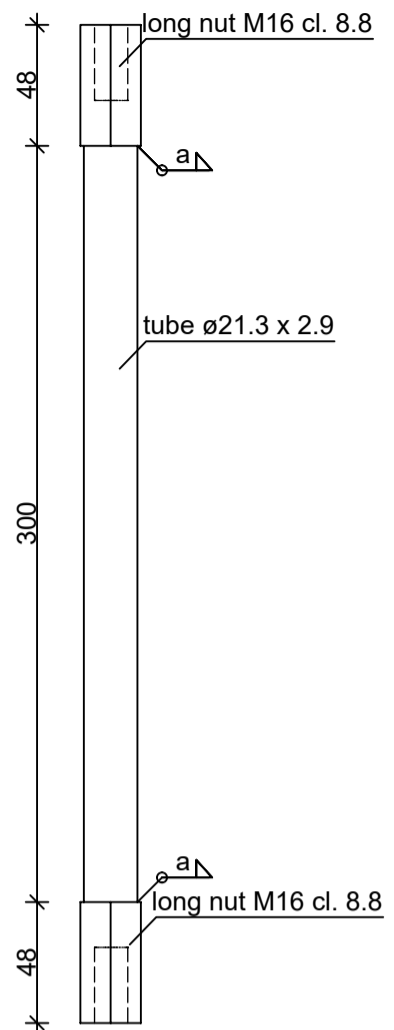
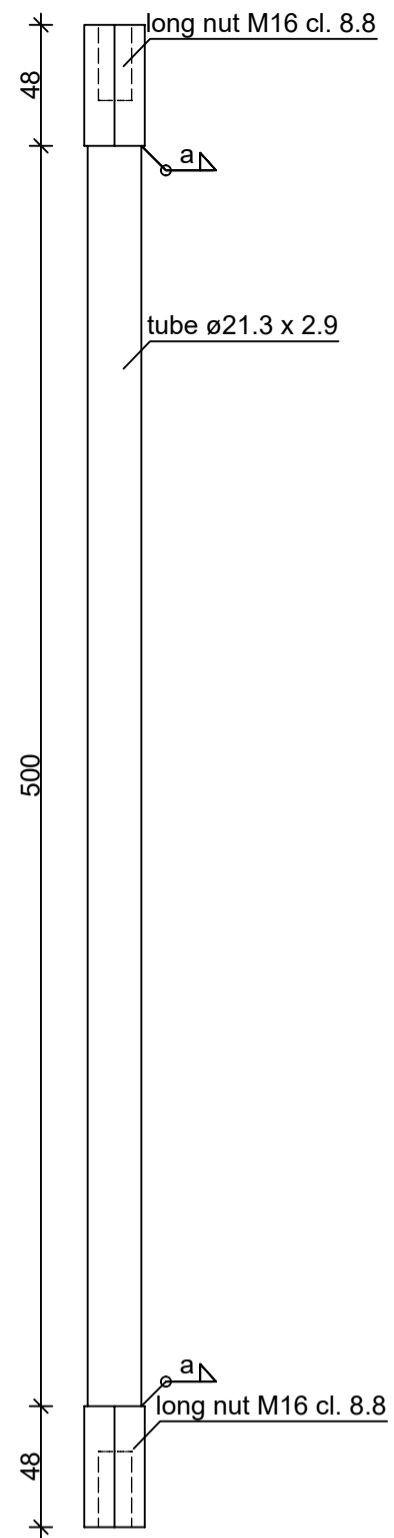
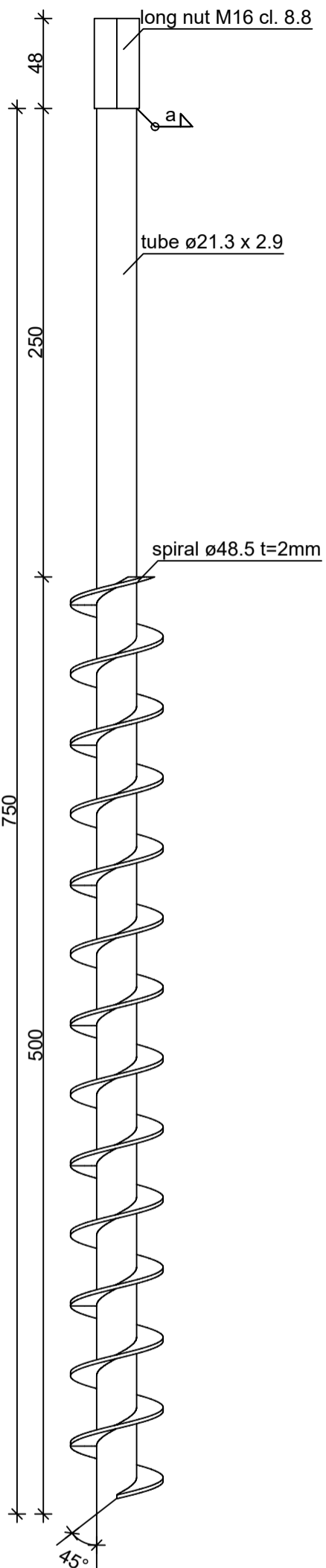
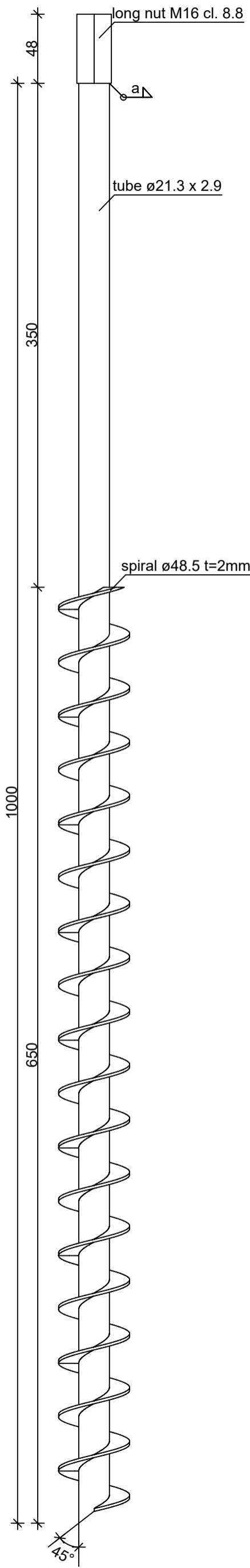
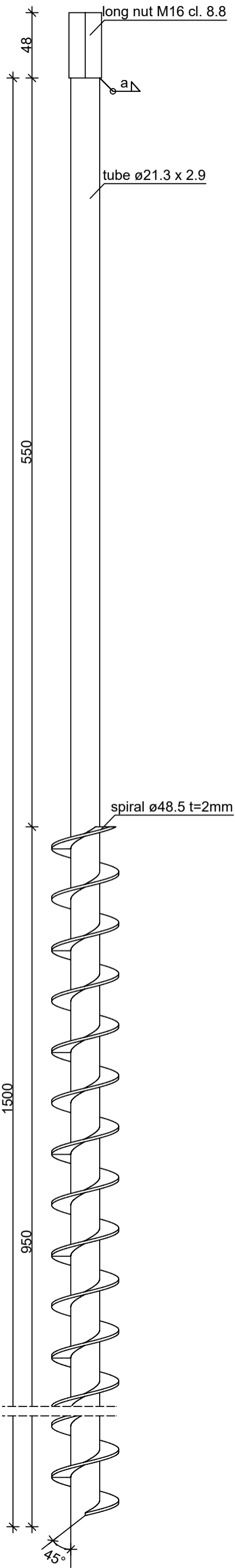
Twister foundation
M16 L=1500mm

Twister foundation
M16 L=1000mm

Twister foundation
M16 L=750mm

Extensioner
M16 L=500mm

Extensioner
M16 L=300mm



L-bracket made of steel S355

| | | | | |
|--------------------|------------------------|-----------------------|-----------------------|---------|
| Design company | | | | |
| GROUNDPLUG® | | CONFIDENTIAL | | |
| Part: | prod. draw. | Number of drawing: | Finish | Date: |
| | | PPT 2 | HDG acc. to | 09.2020 |
| | | rev.1 | ISO EN 1461 | |
| Product/Title: | Twister foundation M16 | Material/Steel grade: | Sub-grade: | Scale: |
| | | S235 | - | 1:3 |
| Design: | | Signature: | Tolerances acc.to: | |
| Check: | | Signature: | PN-EN ISO 9013: 2008 | |
| Draw: | | Signature: | PN-EN ISO 13920: 2000 | |
| | | | EXC2 | |